

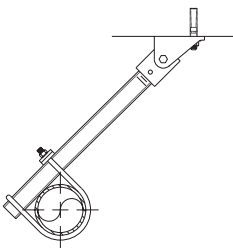
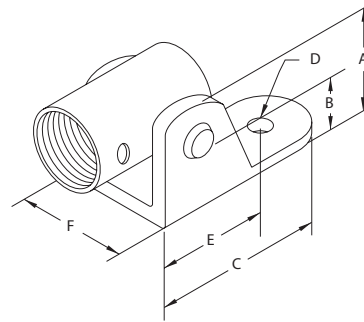


Swivel Sway Brace Fitting

910

Technical Features

- **Sizes available for bracing pipe (Nominal) :** DN25/1" and DN32/1.25".
- **Features :** For use with NPT threaded bracing pipe. All steel construction. Open design allows for inspection of thread engagement.
- **Material :** Carbon steel.
- **Finish :** Plain, electrogalvanised or stainless steel.



1 - When used with other Tolco® bracing products.

Swivel Sway Brace Fitting- 910

Physical Data

Pipe Size (inch/metric)	Dimensions (mm / inch)						Box Quantity	Box Weight (kg / lbs)	Finish	Reference
	A	B	C	D	E	F				
1"/DN25	5.08 / 2.0	3.81 / 1.5	7.62 / 3.0	1.42 / 0.56	5.6 / 2.2	5.08 / 2.0	100	39.9 / 88.0	Plain	910-0100
									Electrogalvanized	910EG-0100
1 1/4"/DN32	3.05 / 1.2	3.3 / 1.3	7.62 / 3.0	1.42 / 0.56	5.6 / 2.2	5.6 / 2.2	100	44.9 / 99.0	Plain	910-0125
									Electrogalvanized	910EG-0125

Important Design and Installation Notice

Designed, tested, and approved to be used only with other Tolco® bracing products available from Viking SupplyNet®.

The Threaded Swivel Sway Brace Attachment is designed to be used in conjunction with Figure 1000 Fast Clamp®, or Figure 4A pipe clamp, all joined together with bracing pipe and installed according to National Fire Protection (NFPA) 13 in order to brace pipe against sway and seismic disturbances.

The length of bracing is defined in National Fire Protection Association (NFPA) 13, Table 4-5.4.3.5.1(B):

According to NFPA 13, 1999 Edition, DN 25/1" Schedule 40 bracing pipe is limited to a maximum length of 7'-0". Bracing pipe should be machined with NPT threads. Thread the bracing pipe fully into the Swivel Sway Brace Attachment. The Swivel Sway Brace Attachment must be mounted in the straight position only. Do not bend. A maximum 19.1 mm (3/4") diameter fastener is designed to be inserted through hole "H" and attached to the supporting structure.

The maximum horizontal design load shall not exceed 914 kg (2015 lbs).

Swivel Sway Brace Fitting- 910

Maximum Load Data

Nominal Bracing (metric)	Pipe Size (inch)	Max. Horizontal Design Load (kg / lbs)
DN25	1"	914 / 2015
DN32	1.25"	914 / 2015